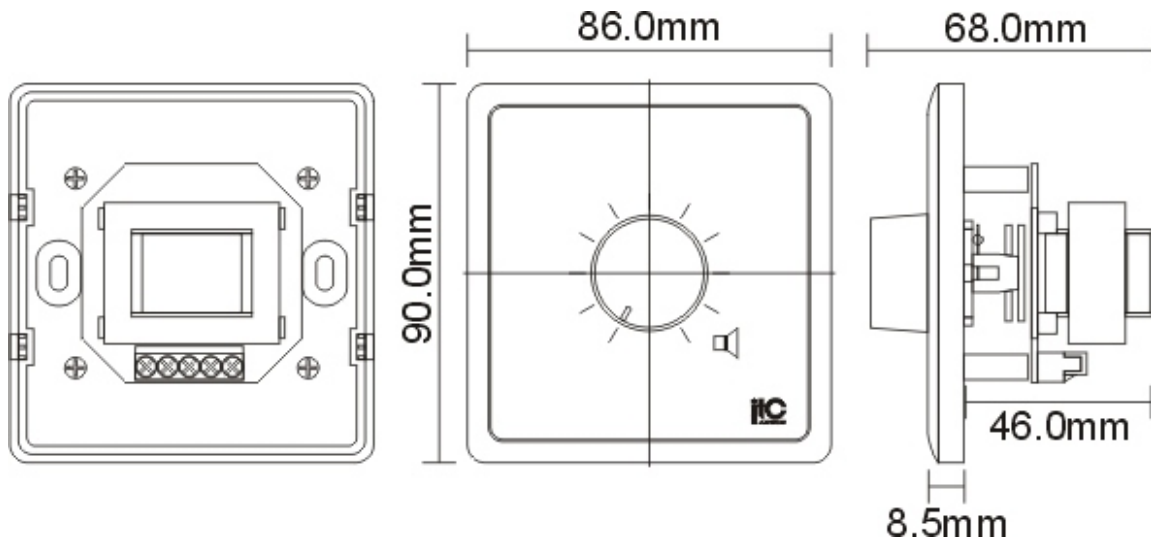


## Specifications

|                    |                            |
|--------------------|----------------------------|
| Model              | T-675C                     |
| Input Power        | 100W                       |
| Control Mode       | Transformer                |
| Signal Input       | 70~100V                    |
| Signal Output      | 0~100V                     |
| Speaker Type       | Voltage Speaker            |
| Frequency Response | 80-16KHz                   |
| Step               | 11 Steps                   |
| Finish             | ABS, white                 |
| Mounting Size      | 86x86x50mm                 |
| Dimension          | 86x90x68mm                 |
| Weight             | 0.22Kg                     |
| Accessory          | One pair screw of M3.5x2.0 |



## Connections

### 3 wired volume control wiring diagram

