

Features

- Built-in 100v/70v transformer
- Indoor column type loudspeaker
- 4"+2.5" full range driver
- Power out 10w @100V
- Wooden enclosure & fabric grille in grey

Description

The T-301 is an indoor column speaker built-in 70v/100v transformer. The 70v/100v transformer technique reduces line losses on longer distance and allows easy parallel connection of multiple loudspeakers.

The built-in 4"+2.5" two way speaker drivers are designed of wide frequency response 130-15kHz, the power output of 10W could meet different applications varies from room size and ambient noise surroundings.

The wooden enclosure and fabric grille are of grey color. Easy and secure wall mount through the mounting hook.

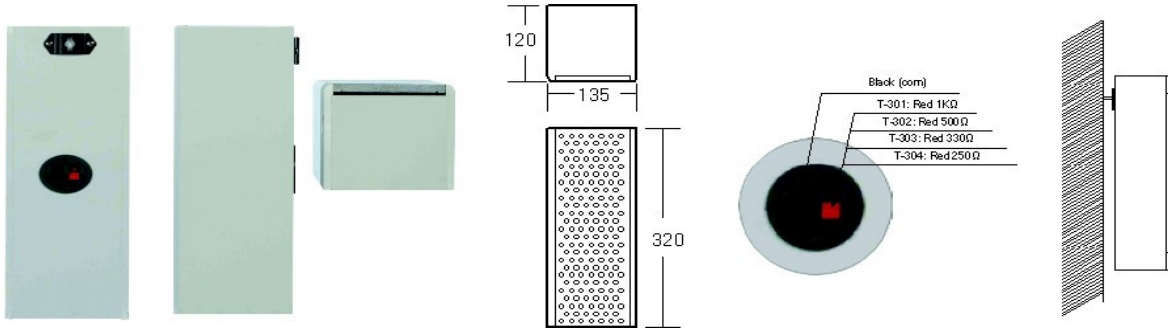
It is ideal choice for industrial and commercial applications in the indoor area of hotel, school, office, restaurant and factory where background music and paging is needed.



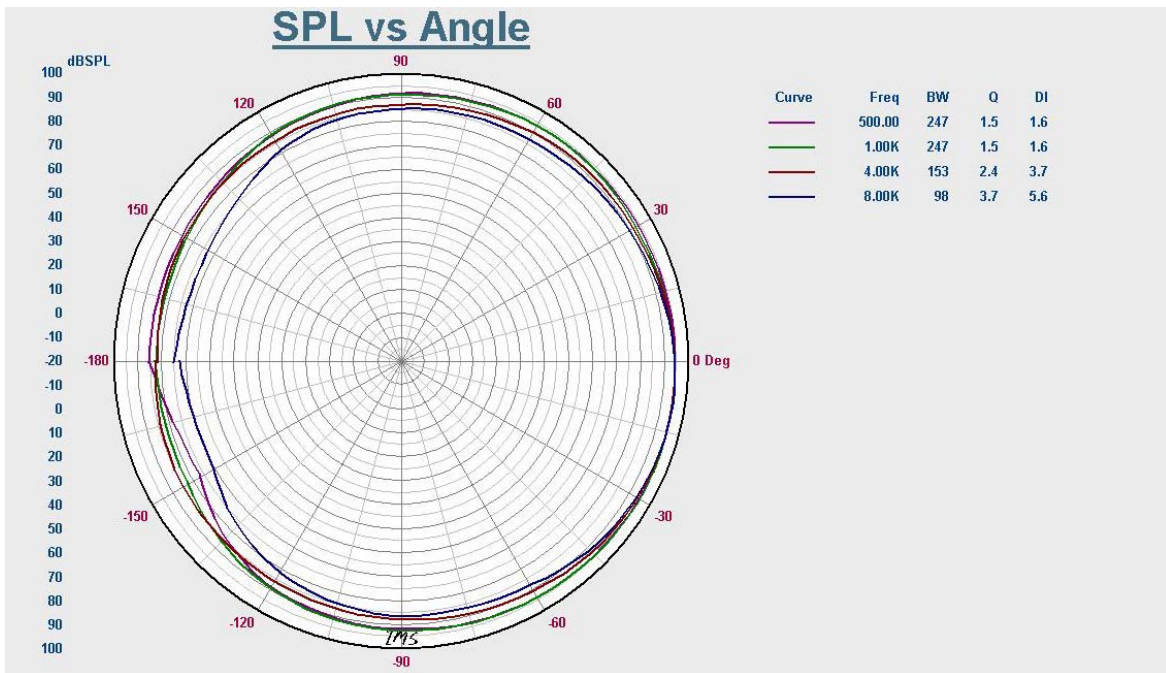
Specification

Model	T-301
Power Taps @100V	10W
Power Taps @70V	5W
Impedance	Black:Com Red:1KΩ
SPL(1W/1M)	89dB±3dB
Max. SPL (Rated W/1M)	101dB
Frequency Response (-10dB)	130-15KHz
Finish	Body: Wooden, Gray
Speaker Driver	4" x 1 2.5" x 1
Dimensions	135 x 120 x 320mm
Weight	2.6Kg
Mounting	Hook

Appearance:



Direction Diagram:



Frequency Response:

