



Descriptions

The USB mixer amplifiers have power ratings from 60W, 120W to 240W. They are featured of three microphone inputs, two aux inputs and one EMC input. Priority muting is achieved via EMC input for overriding other inputs except Mic1 on front panel. Individual gain controls are provided for Mic 1-3 and Aux 1-2, bass and treble controls and master volume control are provided for overall tone control. 70V, 100V and low impedance 4-16ohms speaker outputs are provided. Extensive protection from short-circuit, overload and high temp.

Features

- * With USB port and fluorescent screen to display the sound number
- * Four function buttons: previous play/stop, next and repeat
- * Remote control over USB for EQ, volume up, volume down & mute
- * Mixer amplifier for paging and background music system
- * In 2U height
- * 70V, 100V and low impedance 4-16 ohm speaker output
- * Three Mic inputs by phone jack type
- * Mic 1 with VOX priority and VOX level on rear panel
- * Mic 2-3 by phone jack on rear panel
- * Two Aux Inputs and 2 line inputs for spare use
- * One EMC priority input
- * EMC has priority over all inputs except MIC1
- * Mic 1-3, Aux 1-2 and master volume controls and bass/treble tone control
- * High temp, overload & short-circuit protection

Optional

- * DC 24V
- * Panel with/without handhold

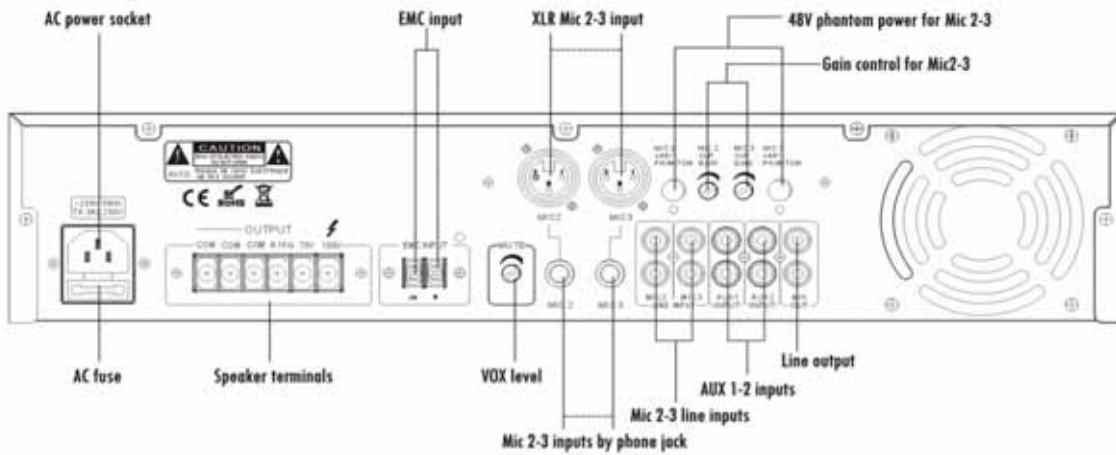
Specifications

Model	T-240BU
Rated Power Output	240W
Speaker Outputs	70V, 100V & 4~16 Ω
Input Sensitivity & Impedance	MIC 1, 2, 3: 5mV/600 Ω, Unbalanced phone jack input MIC 2, 3: ±2.5mV/2K Ω, Balanced XLR input MIC 2, 3: 775mV/10K Ω, Unbalanced RCA input AUX 1, 2: 350mV/10K Ω, Unbalanced RCA input EMC: 775mV/10K Ω, Unbalanced screw input
Output Sensitivity & Impedance	MIX OUT: 1V/470 Ω, Unbalanced RCA output
Tone	Bass: ±10dB at 100Hz, Treble: ±10dB at 10KHz
Frequency Response	50Hz~16KHz(+1dB, -3dB)
S/N Ratio	MIC 1, 2, 3: 66dB, AUX 1, 2: 80dB
THD	Less than 0.1% at 1KHz, 1/3 rated power
Muting Function	MIC 1 overrides other input signals with 0-30dB attenuation
Gain Control	MIC 2, 3 XLR, ±2.5mV~±75mV at 30dB
Crosstalk	≤50dB
MP3 Support Format	MP3
Maximum Support Capacity	8GB USB drive
Phantom Power	+48V, with LED indicator
Cooling	Fan automatically start up when temp reaches 55°C
Protection	High temp, overload & short-circuit
Power Supply	~110V/60Hz or ~230V/50Hz
Power Consumption	400W
Weight	17.5Kg
Dimensions	484x358x88mm
Finish	Panel: aluminum plate, black Case: steel plate, black



B Series (XLR Balance MIC Input + Phantom Power)

Rear Panel T-240BU



Connections

