



## Descriptions

The T-1S01 is a public address pre-amplifier with five balanced MIC inputs, three AUX level inputs and one EMC(priority) level inputs.

Priority muting is achieved via MIC 2 and EMC for overriding music for paging and emergency alarms.

Individual gain controls are provided for MIC and AUX inputs, bass and treble controls are provided for overall tone control.

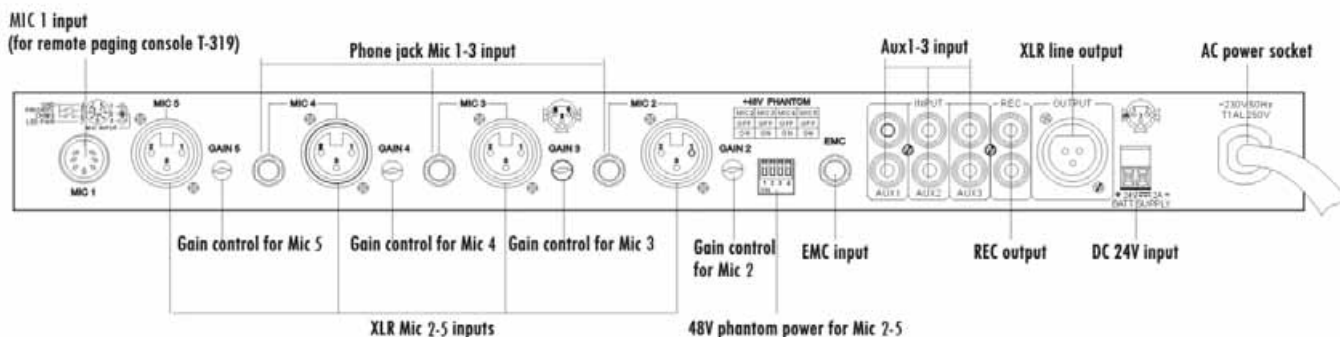
## Features

- \* 5-channel MIC input and 3-channel Aux input.
- \* With 1-channel EMC input.
- \* Independent volume control, MASTER volume control.
- \* With compulsive insert and Priority function.
- \* MIC balance input interface with phantom power.
- \* Individual Gain controls for MIC
- \* EMC has priority over all inputs except MIC 2
- \* Bass and Treble Tone Controls
- \* AC 110V or 230V and DC 24V operation

## Specifications

<b>Model</b>	T-1S01
<b>Input Sensitivity &amp; Impedance</b>	MIC 2, 3, 4, 5: $\pm 2.5\text{mV}/2\text{K}\Omega$ , Balanced XLR type MIC 2, 3, 4: $5\text{mV}/600\Omega$ , Unbalanced TRS type AUX 1, 2, 3: $300\text{mV}/10\text{K}\Omega$ , Unbalanced RCA type EMC: $775\text{mV}/47\text{K}\Omega$ , Unbalanced TRS type MIC 1: $\pm 385\text{mV}/20\text{K}\Omega$ , Balanced MIC 1
<b>Output Sensitivity &amp; Impedance</b>	MIX OUT: $\pm 775\text{mV}/470\Omega$ , Balanced XLR type REC OUT: $200\text{mV}/470\Omega$ , Unbalanced RCA type
<b>Frequency Response</b>	20Hz-20KHz( $\pm 0.5\text{dB}$ )
<b>S/N Ratio</b>	MIC input: 66dB AUX input: 80dB
<b>THD</b>	Less than 0.1% at 1KHz, 1/3 rated power
<b>Tone</b>	Bass: $\pm 10\text{dB}$ at 100Hz Treble: $\pm 10\text{dB}$ at 10KHz
<b>Mute</b>	MIC 1 overrides other input signals with 0-30dB attenuation
<b>Phantom Power</b>	+48V
<b>Protection</b>	AC fuse
<b>Power Supply</b>	$\sim 110\text{V}/60\text{Hz}$ or $\sim 230\text{V}/50\text{Hz}$ & DC 24V
<b>Dimensions</b>	484x295x44mm
<b>Weight</b>	5Kg

## Rear Panel T-1S01



## Connections

