



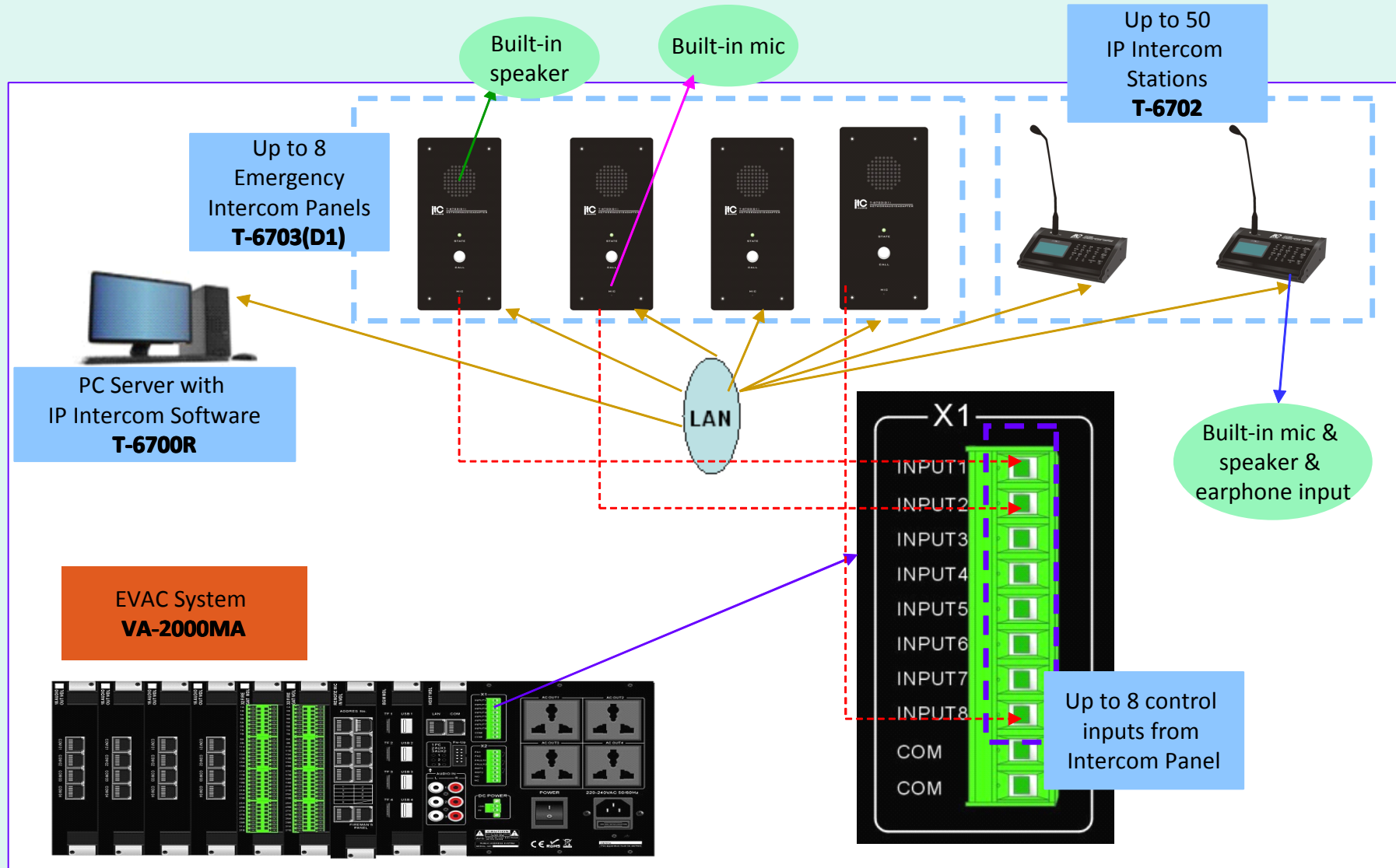
EVAC & IP Intercom Communication System for Airport & Train Station



- Versatile Paging & Announcement System
- Scheduled or Live Broadcast Passenger Information System
 - Emergency Voice Evacuation & Alarm System
- Emergency IP Intercom Communication System
 - Background Music System



EVAC & IP Intercom Communication System for Airport & Train Station





EVAC & IP Intercom Communication System for Airport & Train Station

- Human Voice Message Automatically Broadcast to Pre-Designated Area after Activation of Fire System to Guide People Evacuated in Case of Emergency.
- Versatile Zone Live Announcement or Pre-Recorded Passenger Information Broadcast.
- Full Duplex IP Intercom Panel for Passenger Emergency Use to Communicate with Check-in & Security Room.
- Full Duplex IP Intercom Station for Staff Information or Internal Communication System.
- Security Room or Fireman Hand-Free to Remotely Active the EVAC System.
- Background Music System for Public Area.





EVAC & IP Intercom Communication System for Airport & Train Station

System Features

- Integration of digital voice evacuation system and IP intercom system.
- Two different system inter-work through close contact.
- T-6703(D1) IP Emergency Intercom Panel and T-6702 IP Network Intercom Station work together for Emergency Intercom System.
- Each T-6703(D1) can start hand-free intercom communication to its pre-designated station T-6702. The emergency button activation also can trigger the close contact output as control input for VA-2000MA EVAC system to automatically broadcast the programmed voice messages (Four EVAC messages and four commercial messages players) to different destination zone.
- The EVAC system's X'2 contact output (Two fault outputs and two fire alarm outputs and two restore outputs) can communicate with intercom system through the T-6703(D1)'s close contact input to remind the service team of the building's fire system status.
- While the T-6703(D1) system could communicate and monitor its own system by its built-in speakers, so neither external amplifiers nor external speakers are needed to complete this IP intercom communication system.
- The system integration is suitable for applications: Airport, bank, prison, hospital, coal plant, power electricity station etc.