

User Manual for Digital Conference System

TH-0802M, Conference System Controller

TH-0801, Chairman Unit

TH-0801A, Delegate Unit

General Introductions:

This TH-0802M is a conference system master controller, which is compatible with different functional speech microphones. These different functional speech microphones includes: discussion microphone, discussion & voting microphones, discussion & voting & sign in microphones. More functions are optional to add to this system: interpretation system and auto video tracking system.

This system can work with computer or without it. Choose the operation mode from the software: computer controlling mode and master controller controlling mode. This master control is built-in 50W + 50W power amplifier, its total power consumption is 400W.

The master controller's capacity is 64 speech microphone unit, the system capacity is 250 units after add the expansion controller TH-0802ME.

TH-0802M

Conference System Master Controller

A. Function without computer:

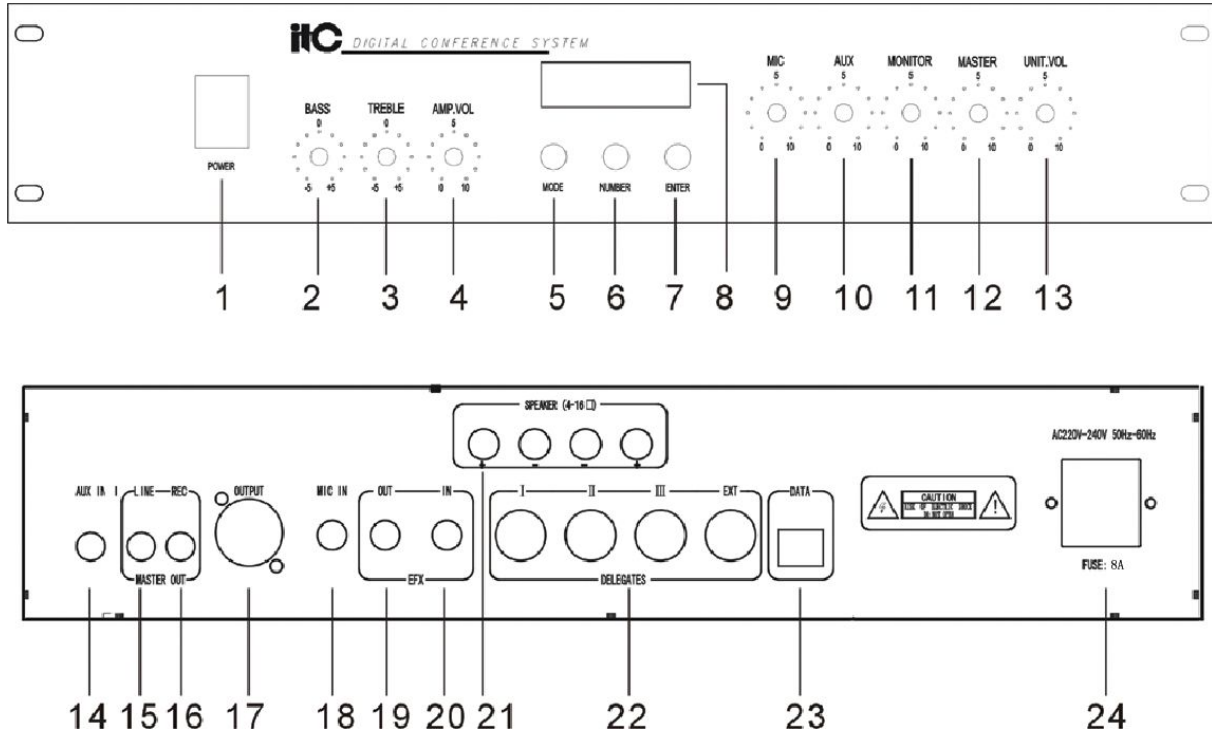
- a. LCD English display working mode;
- b. Three conference working modes: Free, FIFO(first in & first output) and Limit
- c. Free mode: representative unit can speak freely after press button and the button auto close after speech.
- d. FIFO mode: (1~9) first in and first out.
- e. Limit mode: Limit the spokesmen number to speech among 1-9.
- f. Chairman modes: chairman only mode and chairman ordinary mode. Chairman only mode is that all delegate units will be closed down after the chairman unit priority button is pressed, unless the chairman unit is closed. Chairman ordinary mode: The delegate unit can open and close freely even the chairman priority button is been pressed.
- g. OFF: Choose delegate unit whether will be automatically closed after speech within 45 seconds (set up in computer)
- h. The chime indicative sound for chairmen unit on service: yes or no.

B. Function with computer

- a. Compute management mode: (Free discussion, FIFO, Limit & Appointed)
- b. Auto Video-tracking system

TH-0802M, Conference System Controller

Front Panel and Rear Panel



- | | |
|---------------------|-------------------|
| 1. (Power) | 2. (BASS) |
| 3. (TREBLE) | 4. (AMP.VOL.) |
| 5. (MODE) | 6. (NUMBER) |
| 7. (Enter) | 8. LCD |
| 9. (MIC.) | 10. (AUX.) |
| 11. (Monitor) | 12. (Master) |
| 13. (UNIT.VOL.) | 14. (AUX IN) |
| 15. (LINE) | 16. (REC) |
| 17. (OUTPUT) | 18. (MIC IN) |
| 19. (OUT) | 20. (IN) |
| 21. (SPEAKER 4-16Ω) | 22. (DELEGATES) |
| 23. (DATA) | 24. (AC220V/50HZ) |

TH-0801, Chairman Microphone Unit

TH-0801A, Delegate Microphone Unit

Delegate Microphone Unit Functions

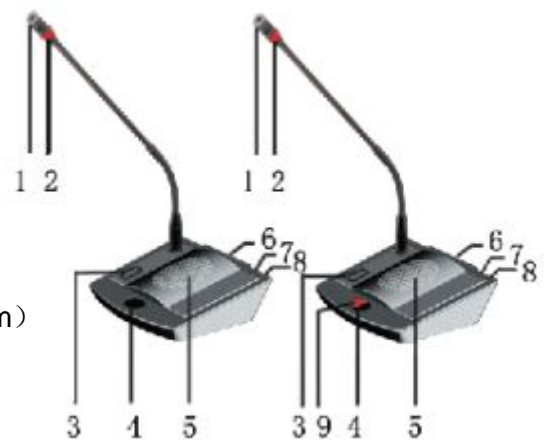
- Adopt new attractive design
- Speech and listening function
- Power supply by main unit, the power is 24V within the safe voltage
- 8P-plug for T-type connecting;
- Built-in high fidelity speaker and external headphone jack
- Electric capacity type microphone equipped with windshield cover.
- The gooseneck microphone have different length options
- The microphone has a speech button enable button
- The red round indicator to display the state of the microphone.

Chairman Microphone Unit Functions

- The chairman unit has following more functions besides the above delegate unit functions.
- The chairman unit ID number in the system is unrestricted, can join in any position of the system.
- The chairman unit number was not limited in this system.
- Equipped with an earphone output jack and wireless MIC input jack
- With the priority button can close all delegate units
- With chime indicative sound for chairman speech
- Chairman Only mode.

Chairman Microphone and Delegate Microphone Unit Appearance

1. Microphone, super-cardioid electret MIC
2. Red round ring indicator
3. Volume control / Electronic digital volume
4. Adjustment buttons and digital display window
5. Microphone speech/close button
6. Built-in speaker
7. Extension line socket
8. Earphone jack (Φ3.5mm)
9. Record output jack, collar MIC input jack (Φ3.5mm)
10. Priority button for chairman unit



System Operation Instruction:

Delegate Microphone Unit

Press the speech button to speak, the indicator ring will on; it means under speech, press the talk button again to terminate the speech, the indicator will off, then it will stay in the state of waiting to speak.

Chairman Microphone Unit

The speech and close function is same as the delegate unit. Moreover, it can stop all delegate units during the speaking state (except the other chairman unit).

The built-in monitor speaker can be regulated by the volume potentiometer or digital-controlled button.

System Set up and Debug


- 1) Install the master controller into the cabinet or on the table, place every delegate unit on the table orderly.
- 2) Download and install the software to the computer, stuck USB software encryption lock.
- 3) Video cards will be allocated to the installation of the computer mainframe boxes, refer the installation methods and computer software installed detailed specification in the software instruction. (Voting functions applicable)
- 4) Connect the projector or television into the computer(Voting & Video applicable)
- 5) Plug in the extension cable male connector into the main controller of any of 8P-DIN socket.
- 6) Use T-type line insert the male plug into female plug of the extension cable according to the indicative signs, the extension line connected with the delegate unit 8P-DIN socket
- 7) Connect the other delegate units by order, if the units are of big quantity, another T-shaped circuit splitter could be used to divide the system into more channels connections.
- 8) If meeting room request to hind the line, it have to bury the line in the ground in advance before construction. (Checking the meeting room situation first and then contact us for the line, and be attached the meeting layout picture for reference, there will be the engineer to configure the line for you)
- 9) Connect the EFX OUT to frequency shifter balanced input; EFX IN to frequency shifter's balanced output.
- 10) If there is a mixer, connect it to the main unit output.
- 11) Connect the amplifier to the main unit line if more power is needed.
- 12) Connect the speaker to the amplifier.
- 13) Connect the recording equipment to the main unit REC
- 14) After checking the connection is well, power plug the master controller, adjust the volume to minimum; bass and treble adjusted to the middle position(including the amplifier volume).

- 15) **ID Setting for each microphone.** Power on the master controller and keep pressing "NUMBER" button on the front panel. Then press on every microphone unit, and check whether all of the power indicator for every microphone are on. The indicator on means the ID write in is done, otherwise, do it again.
- 16) Adjust each microphone's volume into proper level through the chairman unit.
- 17) The system shall be ready for service, if there is any more question, please send mail to us info@itc-pa.com.cn or call our authorized distributor for service only.

System working mode setting:

- Press the mode button, it reveal the related words in the LCD screen, mode as following : Free, FIFO, limit, speaking number, board mode, PC mode. press the save button after choosing, LCD screen will display the mode has been set.
- Master Controller control mode:
 - a. press the mode button until see the “board mode” shown in LCD screen,
 - b. press the save button for saving the setting.
 - c. then press the mode button, Free, FIFO, Limit,
 - d. press the save button for saving.
 - e. For FIFO or Limit mode, another below steps are needs to be done.
 - f, press the mode until see the “speaking number” , then press the number button to choose the number within 1 to 9.
 - g. press the save button .
- Computer control mode:
 - a. press the mode until see the “PC mode”.
 - b. press save button, the LCD screen display “welcome to use the PC mode”.

Installation Warnings:

- a) In order to fully ventilation, equipment surrounding space no less than 10cm.
- b) Ventilation holes should not be covered, such as newspapers, tablecloths and curtains, and other items to impede ventilation.
- c) Equipment should not be placed on the exposed flame sources; such as lit candles.
- d) Equipment operating temperature range of 0-70 ° C.
- e) Equipment should not spoil the splash of water or water; the equipment should not be placed under such as vases containing liquid items.
- f) If the equipment superscript warning signs is  dangerous to the terminal is a dangerous Charged warning, non-professionals do not operate
- g) The power plug in equipment should be used by inserting in the grounding socket.

System Connection Diagram

