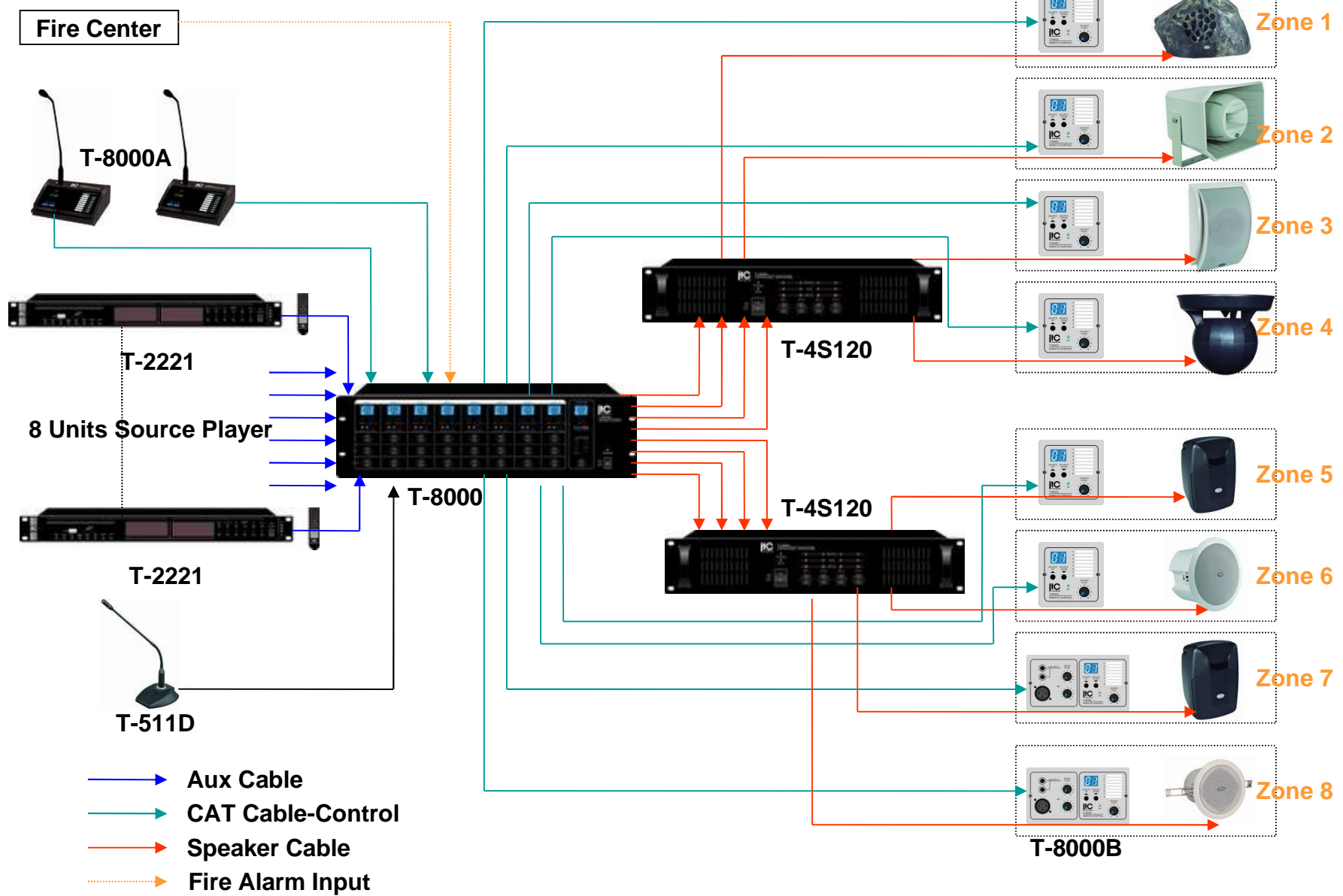


8x8 Audio Matrix & Zone Paging System



8×8 Audio Matrix & Zone Paging System

- 8 different music for 8 zones
- Two remote 8 zone paging mic
- Remote wall plates for user volume control and source selection
- Expansion to 32 zones
- Elaborate zone volume and tone control

Professional Public Address System



Architects' & Engineers' Guidance

The T-8000 is an 8 zone audio matrix and remote zone paging controller is a versatile system for multi-music room solution like for home, hotel & fitness center.

The system could broadcast 8 different music at the same time to 8 zones, it is also possible to expansion the system into 32 zones by fed into same 8 sources. The controller could connect 8 remote wall plates and 2 remote paging mic. All of the system control communication is through CAT 5 cable for easy and cost-effective installation. Fire alarm input to link together with voice alarm system. Dual voltage 110V-230V and DC 24V operation.

The T-8000A is a remote 8 zone paging mic for office administrator and for reception desk use. The zone paging will not interrupt the music system of other zones.

The T-2221 CD/Mp3 player with tuner is a multi-sources player combiner, which integrates CD, SD input, USB input and AM/FM tuner together into one unit. A slap-up remote control is supplied for remote volume control and source selection.

The T-511D is a condenser mic is used by fireman/electrician in the control room, which have highest priority announcement in case of emergency.

The T-4S120 is a four channel power amplifier, 120 watts power output per channel.

The T-8000B is a remote wall plate with Aux/Line input. T-8000C is a remote wall plate. Both of them are used for volume control and source selection, a LED provide direct visual volume level and source channel. Mounting box is supplied, CAT 5 cable system, communication distance 50 ms, direct power from the controller. External DC 24V shall be used when distance longer than 50ms.

- The T-300V is a rock shaped garden speaker, which is designed for total outdoor music & paging applications. Its rated power 25W, also has 12.5W power tap option. Its rock shape helps to mixture with the environment.
- The T-710K is a music horn speaker, which have wider frequency response to make sure it is not good at paging but also background music. Its total waterproof ABS finish and stainless mounting bracket for a easy installation on the wall or on a pole. Its multi power taps design is helpful for different size and ambient noise applications like parking area.
- The T-611 is an indoor wall mount speaker, its rated power output is 6W, also has 1.5W and 3W power taps. Ideal for music and paging while cost is economy.
- T-600B is a black indoor pendant speaker for paging & music applications. It is ideal to be used in the high-rising roof places like the check-out of super market and lobby of hotels. It is designed of full range speaker, however its sound dispersion is very wide, so the listener could enjoy a comfortable ambient level whether under the speaker or far away. White and black two colors option, a mounting bracket is supplied for an easy installation.
- The T-206P is a coaxial ceiling speaker. Its wide frequency makes it is ideal for high level paging and background music system. Rated power output is 30W, also has 15W power tap.
- The T-767 is a high level wall mount box, rated at 50W, its powerful sound output make it is suitable for indoor wide open rooms, a mounting bracket is supplied.
- The T-103D is a waterproof ceiling speaker, especially designed for bathroom, toilet & Sauna room. Its power output is 6W, also have 3W power tap option, easy spring clip mounting design.



Control Equipments

S/N	Name	Model	Qty
1	8×8 Audio Matrix & Zone Paging Controller	T-8000	1
2	CD/Mp3 Player with Tuner	T-2221	8
3	Remote 8 Zone Paging Microphone	T-8000A	2
4	Condenser Mic	T-511D	1
5	4 Channel Power Amplifier	T-4S120	2
6	Remote Wall Plate	T-8000C	6
7	Remote Wall Plate with Aux/Mic Input	T-8000B	2



Speaker Distribution

Zone	Size	Location	Speaker	Power Output
Zone 1	30 Sq m	Green Area	2 pcs T-300V, 25W, outdoor rock shaped speaker	50W
Zone 2	100 Sq m	Parking Area	2 pcs T-710K, 50W, outdoor horn speaker	100W
Zone 3	200 Sq m	Office	25 pcs T-611, 6W, wall mount speaker	150W
Zone 4	6 Sq m	Reception Desk	2 pcs T-600B, 15W, pendant speaker	30W
Zone 5	30 Sq m	Catering Center	2 pcs T-767, 25W, wall mount speaker	50W
Zone 6	60 Sq m	Waiting Room	4 pcs T-206P, 15W, ceiling speaker	60W
Zone 7	600 Sq m	Fitness Center	8 pcs T-767, 50W, wall mount speaker	400W
Zone 8	80 Sq m	Sauna & Shower Room	10 pcs T-103D, 6W, waterproof ceiling speaker	60W
TOTAL POWER				900W